

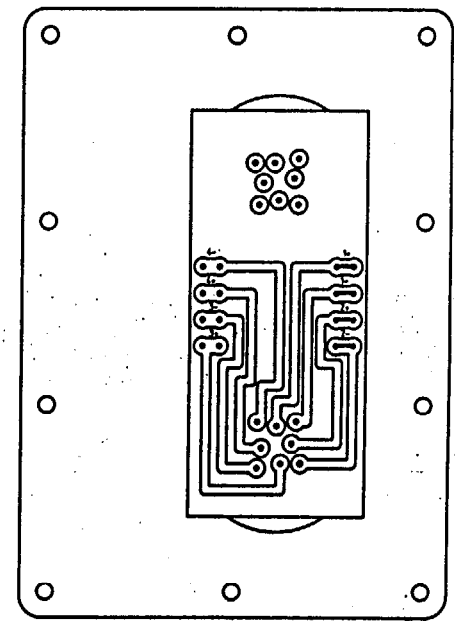
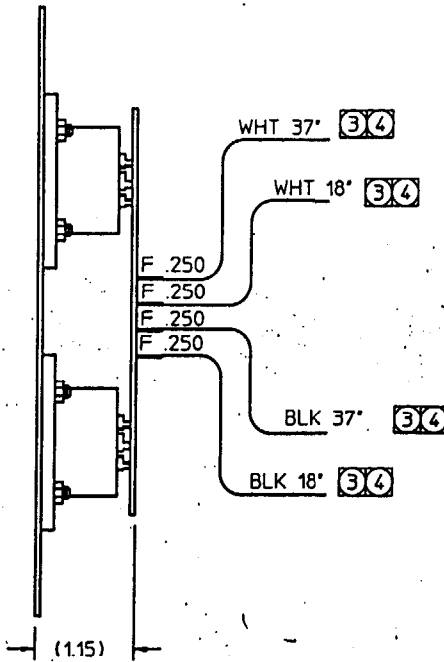
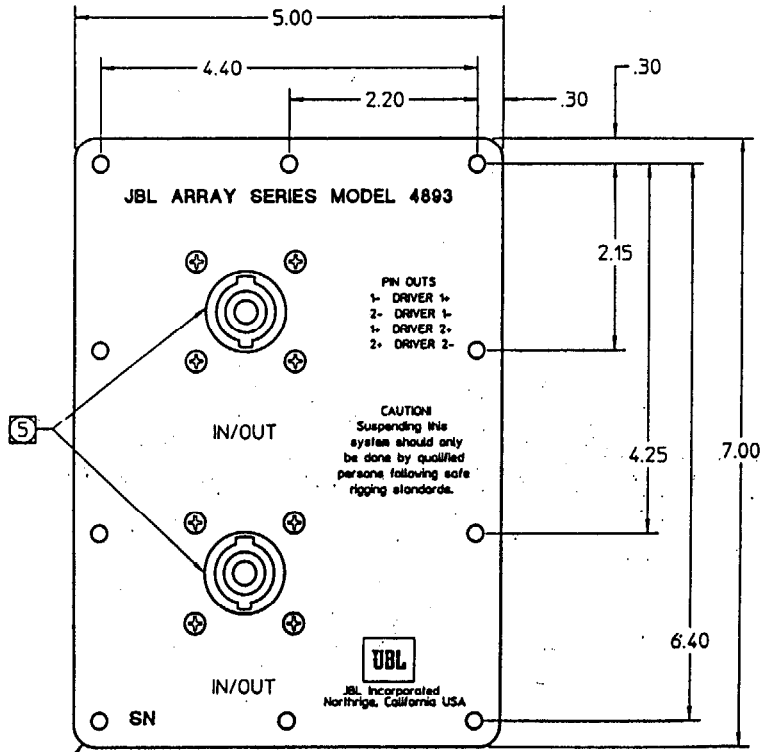
THESE DRAWINGS AND SPECIFICATIONS ARE THE PROPERTY OF HARMAN SPEAKER MANUFACTURING COMPANY. THEY ARE ISSUED IN STRICT CONFIDENCE AND SHALL NOT BE REPRODUCED, COPIED OR USED AS THE BASIS FOR MANUFACTURE OR SALE OF APPARATUS WITHOUT WRITTEN PERMISSION.

WIRE COLOR	WIRE LENGTH	PIN LOCATION
WHT	37"	1+
WHT	18"	1-
BLK	37"	2+
BLK	18"	2-

REVISIONS					
CHG	LTR	DESCRIPTION	DAFT	CHK	D'
647R	B	REPLACE PINK CARD	PME	8/1/72	9/1

APPR
[Signature]

N4893



4 X R.25

1. MATERIAL: .090" ALUMINUM
2. FINISH: BLACK ANODIZE
- ③ 14 AWG TYPE TEW
- ④ 3/8" STRIP
- ⑤ NEUTRIK CONNECTOR P/N: NL8MD-V-J

NOTES: (UNLESS OTHERWISE SPECIFIED)

ITEM	PART NO.	DESCRIPTION	REMARKS
BILL OF MATERIAL			
UNLESS OTHERWISE SPECIFIED DIMENSIONS ARE IN INCH-SIZES BREAK SHARP EDGES AND CORNERS		DRAWN BY <i>P. ELLIOTT</i>	DATE 09.21.72
TOLERANCES UNLESS OTHERWISE SPECIFIED INCHES X.XXX = .005 INCH XX = .010 INCH X = .020 INCH		RECHECKED <i>[Signature]</i>	DATE 9/21/72
FRACTIONAL DIMENSIONS = 1/32		ENGR <i>[Signature]</i>	DATE 9/21/72
ALL DIMENSIONS ARE FINISHED DIMENSIONS SEE NET SCALE DRAWING		MODELS USED ON 4893	
HARMAN SPEAKER MANUFACTURING A Harman International Company Northridge, California 91329, U.S.A.			TITLE CONNECTOR PLATE ASSY. 4893
SIZE C	DRAWING NO. 74883	REV B	
SCALE: 1:1	SHEET 1 OF 1		